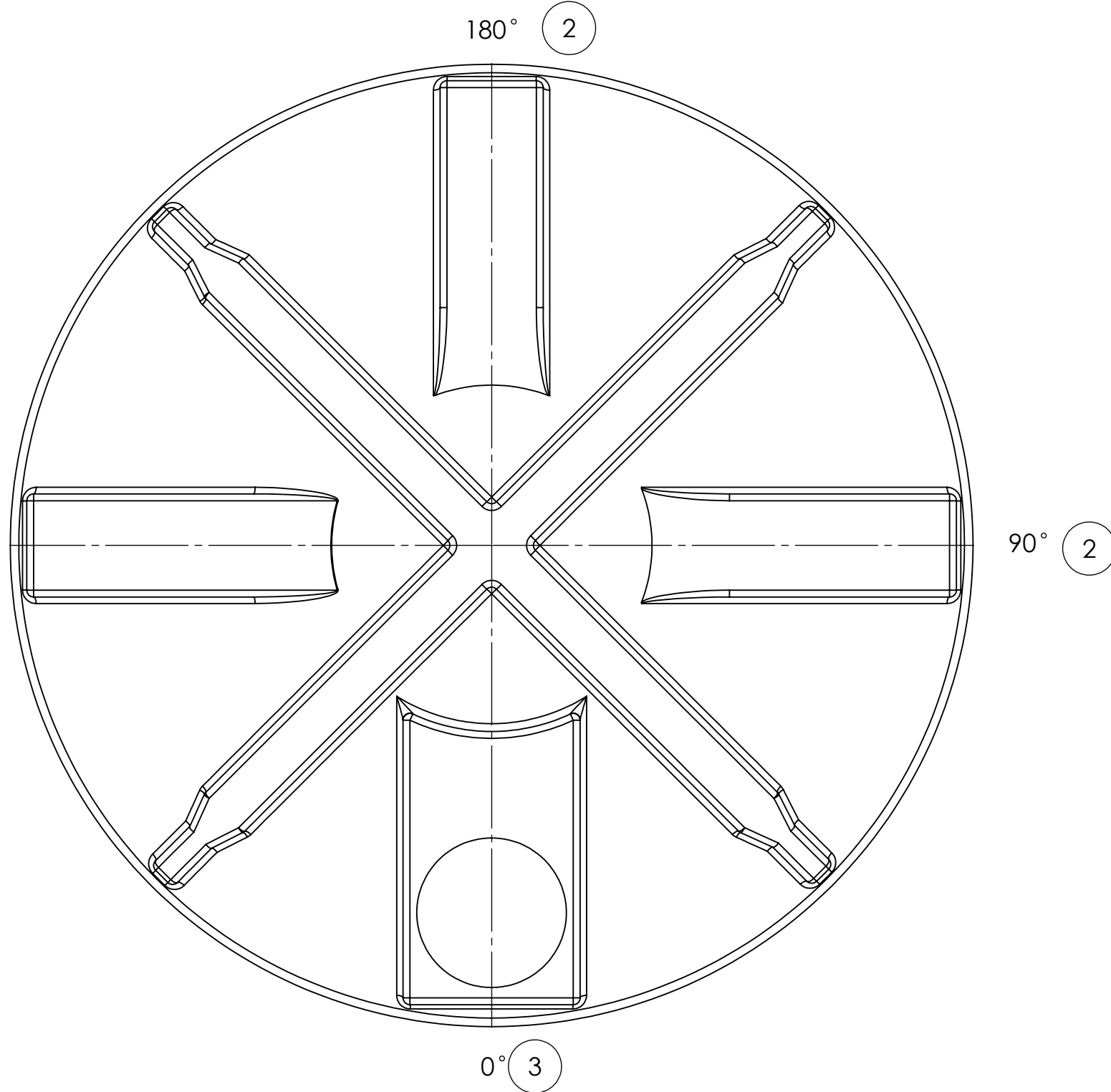




2 270°



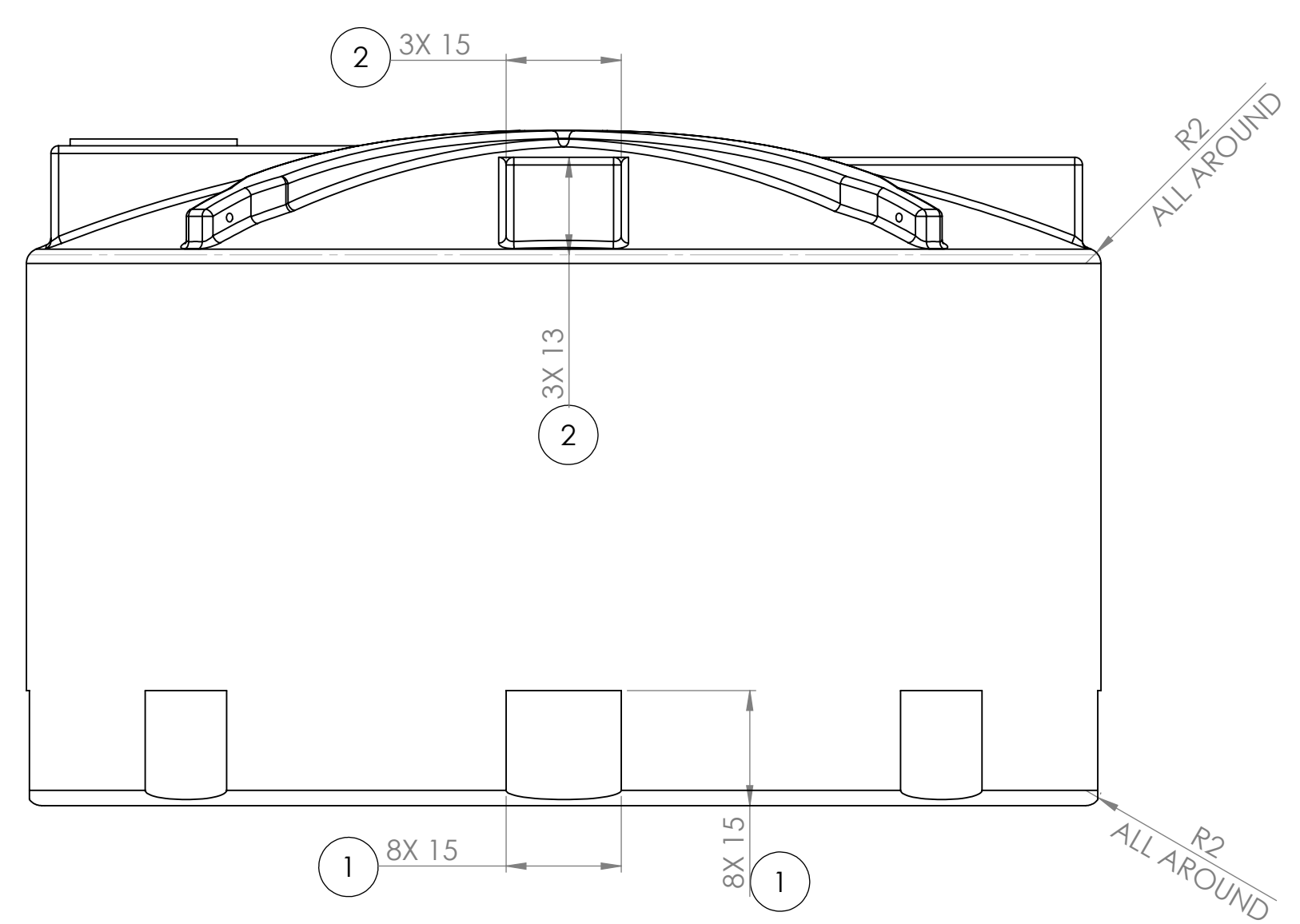
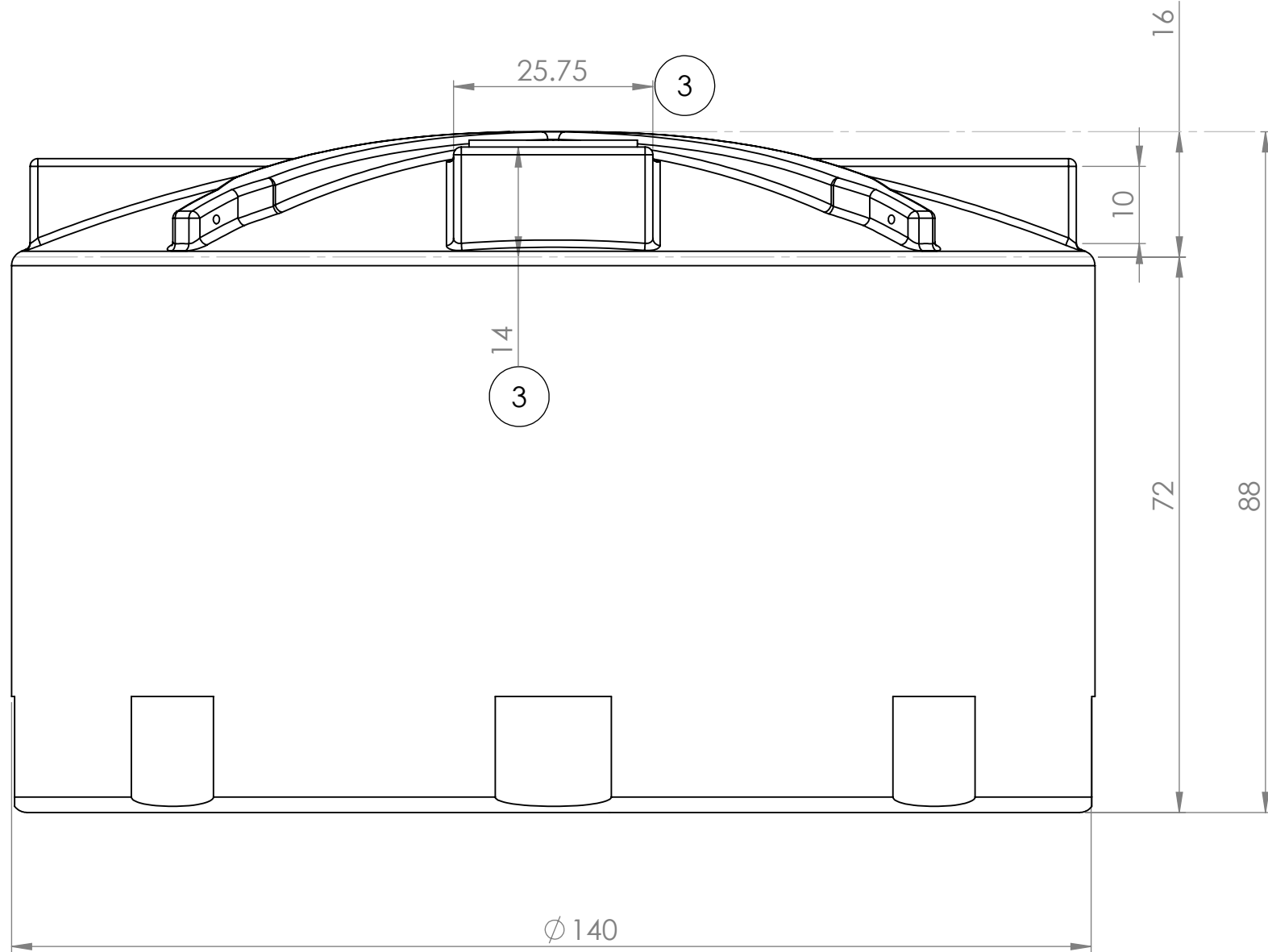
REVISIONS				
ZONE	REV.	DESCRIPTION	DATE	APPROVED
ALL	1	INITIAL DRAWING RELEASE	01/26/2015	DMC

**NOTES:**

- ① 15" X 15" LAYOUT FLATS, 8 PLACES 45 DEGREE EQUAL SPACING.
- ② 15" X 13" DOME FLATS 3-PLACES.
- ③ 14" X 25.75" DOME FLAT, 1-PLACE.
- ④ 16" HINGEWAY.
- ⑤ FLUSH GALLON MARKERS.

ALL DIMENSIONS ARE FINISHED PART DIMENSIONS.

WALL THICKNESS 0.50 INCHES.



**PROPRIETARY AND CONFIDENTIAL**  
 THE INFORMATION CONTAINED IN THIS DRAWING IS THE SOLE PROPERTY OF SENOX CORPORATION. ANY REPRODUCTION IN PART OR AS A WHOLE WITHOUT THE WRITTEN PERMISSION OF SENOX CORPORATION IS PROHIBITED.

UNLESS OTHERWISE SPECIFIED: ALL DIMENSIONS ARE IN INCHES	DRAWN DMC	NAME DMC	DATE 1-26-15
TOLERANCES: .XX ± 0.020 .XXX ± 0.010 .XXXX ± 0.005 ANGLES ± 1 DEG	CHECKED	ENG APPR.	MFG APPR.
INTERPRET GEOMETRIC TOLERANCING PER: MATERIAL	Q.A.		
FINISH	COMMENTS:		
DO NOT SCALE DRAWING			

**POLY-MART** 16310 Bratton Lane #200 Austin, Tx 78728  
 Made in America by an American Company

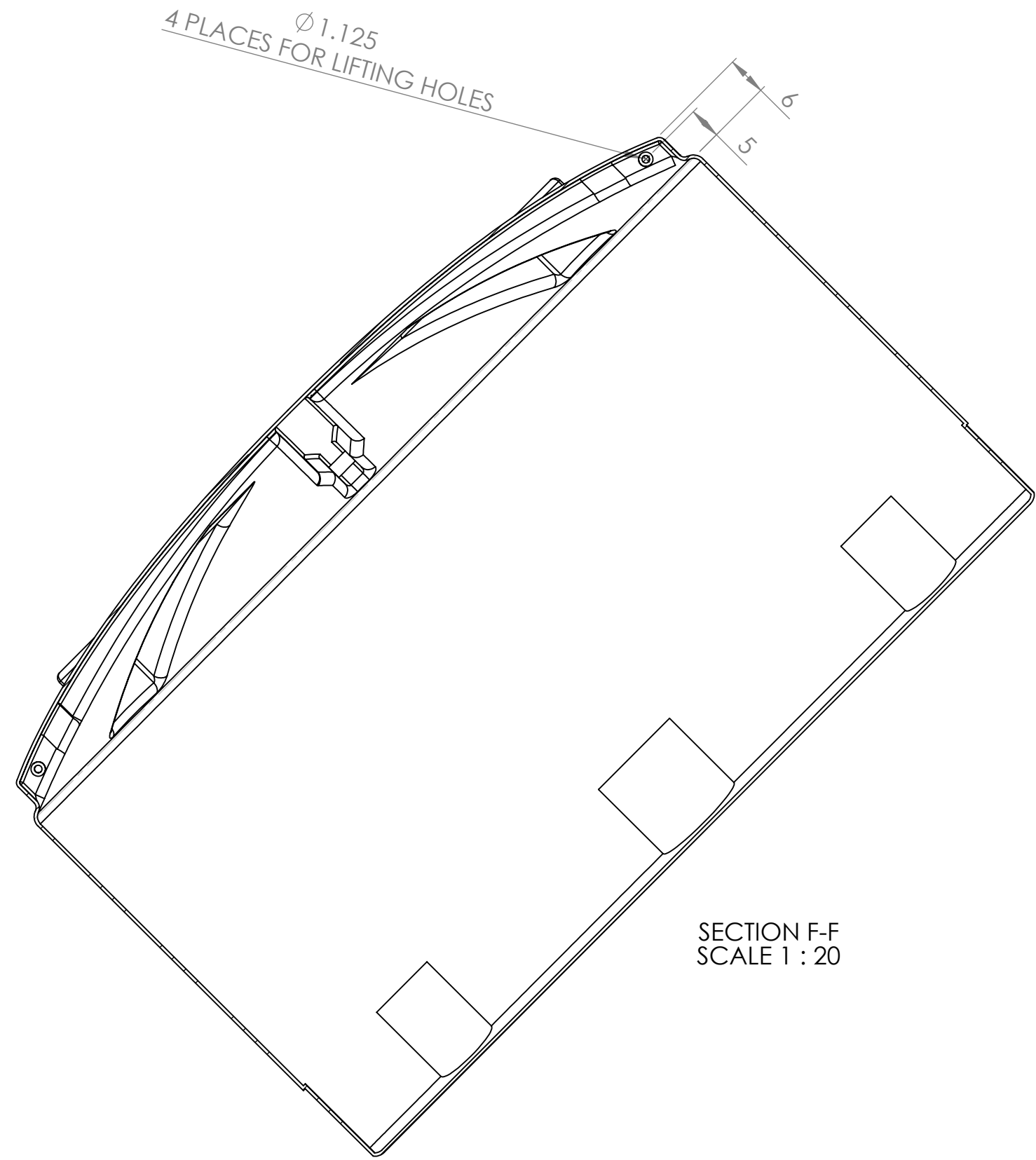
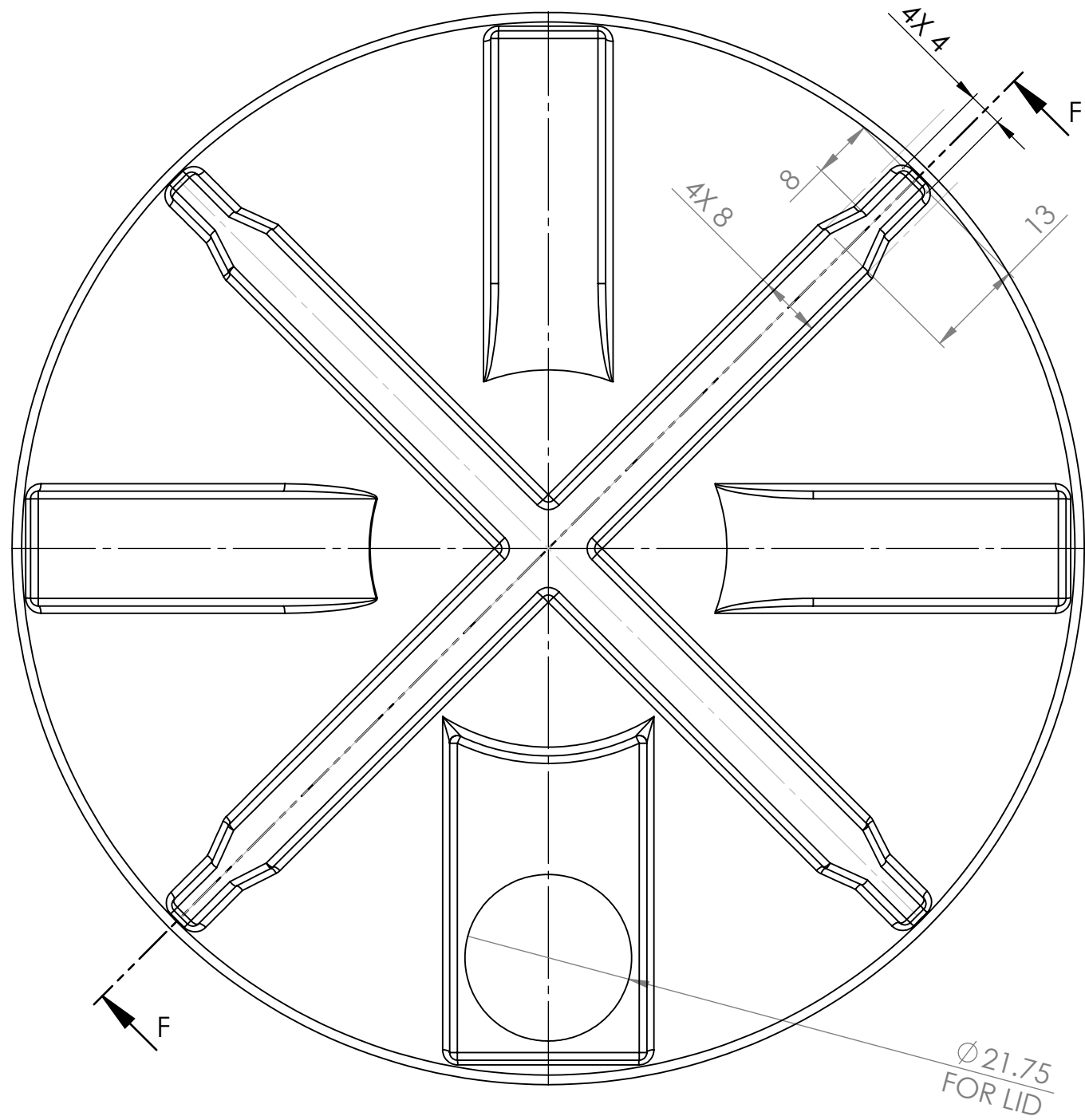
TITLE:  
**5000 GALLON TANK LOW PROFILE DESIGN**


SIZE <b>C</b>	DWG. NO. <b>WRP-107</b>	REV <b>1</b>
SCALE: 1:20 WEIGHT:		SHEET 1 OF 2

R2 ALL AROUND

R2 ALL AROUND

REVISIONS				
ZONE	REV.	DESCRIPTION	DATE	APPROVED
-	-	See Sheet1	-	-



UNLESS OTHERWISE SPECIFIED: ALL DIMENSIONS ARE IN INCHES		NAME	DATE	 16310 Bratton Lane #200 Austin, Tx 78728	
TOLERANCES: XX ± 0.020 XXX ± 0.010 XXXX ± 0.005 ANGLES ± 1 DEG		DRAWN	DMC		1-26-15
PROPRIETARY AND CONFIDENTIAL THE INFORMATION CONTAINED IN THIS DRAWING IS THE SOLE PROPERTY OF SENOX CORPORATION. ANY REPRODUCTION IN PART OR AS A WHOLE WITHOUT THE WRITTEN PERMISSION OF SENOX CORPORATION IS PROHIBITED.		CHECKED			
INTERPRET GEOMETRIC TOLERANCING PER: MATERIAL		ENG APPR.			
FINISH		MFG APPR.			
DO NOT SCALE DRAWING		Q.A.			
		COMMENTS:			
		TITLE:			
		5000 GALLON TANK LOW PROFILE DESIGN			
SIZE	DWG. NO.	REV			
C	WRP-107	1			
SCALE:20	WEIGHT:	SHEET 2 OF 2			

3/14/2016 dcersley