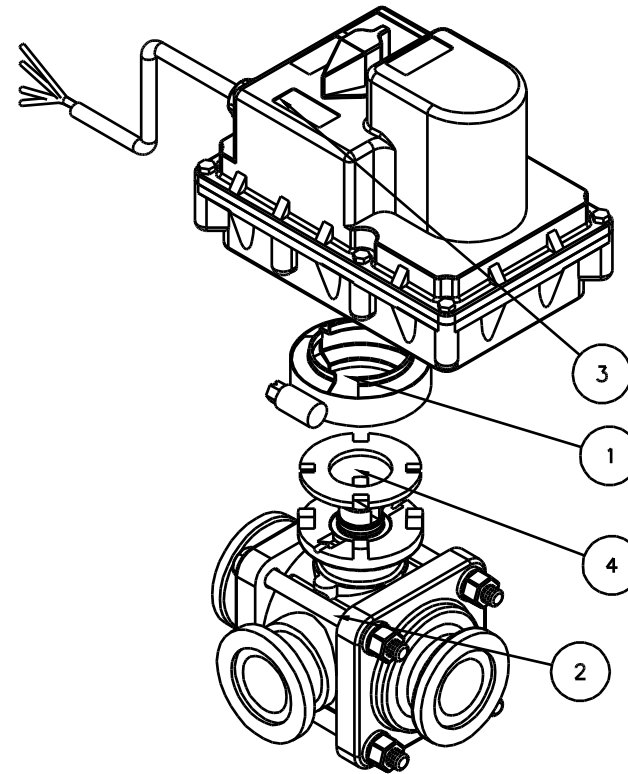
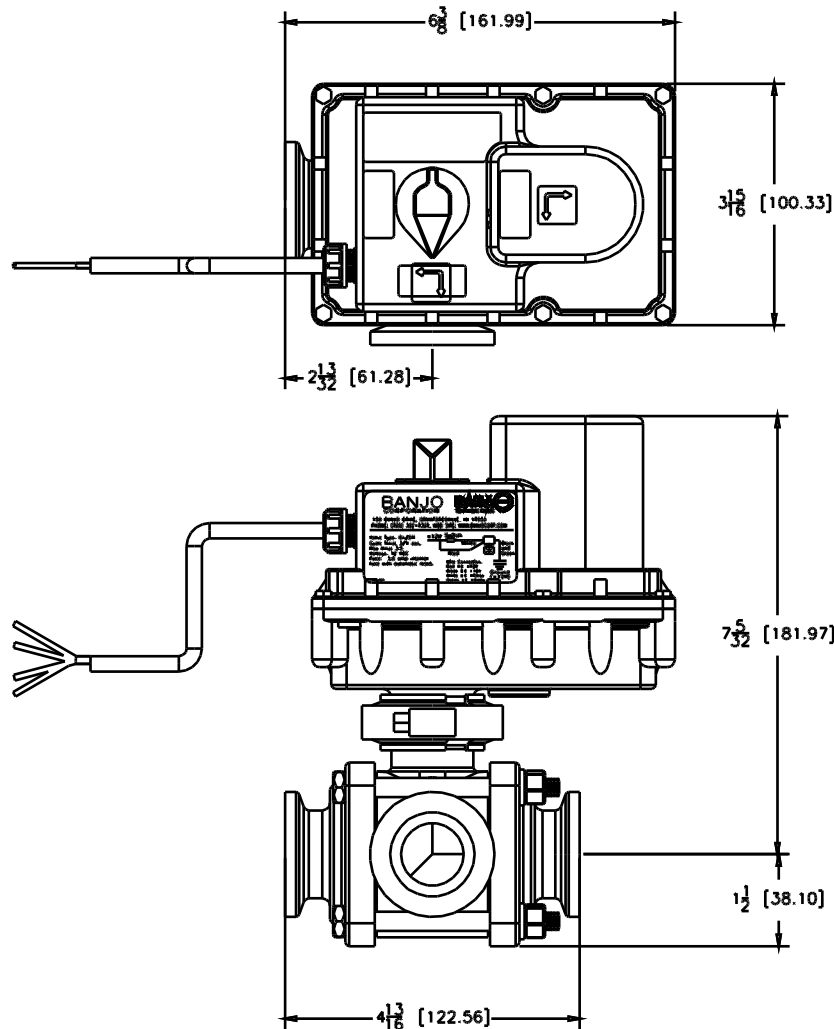


Parts List

Item	Qty	Part Number	Description
1	1	FC100	1" Flange Clamp
2	1	MEV100SLXR1	1" SL Valve Only
3	1	EV3100	1" 3 Wire On/Off Motor Assy
4	1	MVE004	Filter
5	2	VL200SL	SL Decal



BANJO
LIQUID HANDLING PRODUCTS

BANJO CORPORATION
150 BANJO DR. • CRANFORDSVILLE, IN 47933

PART NO. MEV100SLCF

TITLE
1" SL Manifold Electric Valve 3/4 Sec. 3 Wire, On/Off

THIS DRAWING AND ALL INFORMATION CONTAINED THEREON ARE THE EXCLUSIVE PROPERTY OF BANJO CORPORATION. UNLESS SPECIFICALLY NOTED, THIS DRAWING AND ITEMS SHOWN ON THIS DRAWING ARE SUBJECT TO CHANGE AT ANY TIME.